

## AVIATION REFUELLER 9.000 I.

### IVECO EURO CARGO

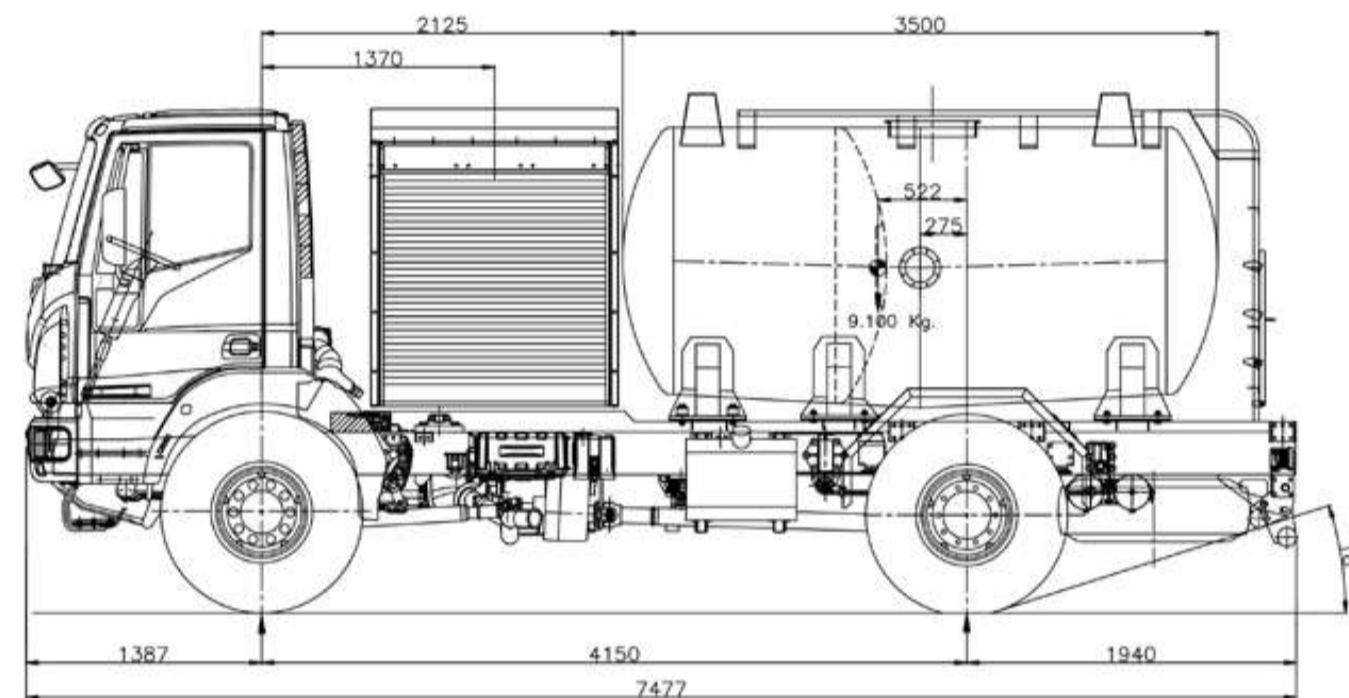
#### ML150E24WS 4x4 WB 4.150

#### EN 12312-5 – JIG v12 – EI 1581 – EI 1529 – EN 1361

OVERALL DIMENSIONS: 7.500x2.550x3.450 mm

### CHASSIS DETAILS

- IVECO EURO CARGO ML150E24WS 4x4
- WHEELBASE 4.150 mm.
- LHD
- ADR
- GVW 15.7 Tn
- ENGINE: TECTOR F4 - EURO 3
- GEARBOX: MANUAL ZF 6S800
- SUSPENSIONS: LEAF-SPRING
- ACTIVE TIME CABIN
- FUEL TANK 115 l.
- TYRE: 395/85R20
- WHITE IC194



This image shows a similar configuration for illustrative purposes. Refueller currently in production.

### REFUELLING SYSTEM DETAILS

| OPERATIONS  | TANKS  |  |
|---|--|--|
| <ul style="list-style-type: none"> <li>o UNDERWING REFUELLING</li> <li>o OVERWING REFUELLING</li> <li>o DEFUELLING</li> <li>o SELF-LOADING</li> <li>o BOTTOM LOADING</li> <li>o TOP LOADING</li> <li>o DRAINAGE</li> <li>o TEST</li> </ul>  | <ul style="list-style-type: none"> <li>o MADE OF ALUMINIUM XTRAL 728.</li> <li>o 9.000 l. + DEADSTOCK AND ULLAGE</li> <li>o 1 MANLID WITH SAFETY VALVES</li> <li>o HIGH LEVEL AND LOW LEVEL CUTTING DEVICES</li> </ul> | <ul style="list-style-type: none"> <li>o LADDER, CATWLAK AND SAFETY HANDRAIL</li> <li>o PIPING IN ALUMINIUM.</li> <li>o CALIBRATED DIPSTICK</li> <li>o BAYHAM TANK CONTENT GAUGE.</li> <li>o ISO R45 2 1/2" FOR BOTTOM LOADING AND SELF-LOADING</li> </ul> |
| PUMPING, METERING AND FILTERING   |  |  |
| <ul style="list-style-type: none"> <li>o FLOW RATE 1.100 lpm</li> <li>o ALFONS HAAR VANE PUMP. HYDRAULICALLY DRIVEN</li> <li>o FAUDI FWS 6TH EDITION – FW10 TYPE (SS) – Up to 1.200 lpm</li> <li>o GAMMON DP GAUGE WITH DP SWITCH</li> <li>o METER: SATAM ZC17 80 MECA – VR7887 – Up to 1.333 lpm</li> </ul>    |  |  |
| PRESSURE CONTROL  |  |  |
| <ul style="list-style-type: none"> <li>o ALFONS HAAR ILPCV 3" + DEADMAN CONTROL</li> <li>o HECPV – EATON CARTER 64200</li> </ul>  |  |  |
| HOSE REEL   |  |  |
| <ul style="list-style-type: none"> <li>o SPOKED TYPE REEL (1)</li> <li>o 20 m DN50 ELAFLEX HOSE WITH UNISEX COUPLINGS</li> <li>o HYDRAULICALLY DRIVEN</li> <li>o NOZZLE: <ul style="list-style-type: none"> <li>• UNDERWING NOZZLE CARTER 64200</li> <li>• OVERWING NOZZLE ELAFLEX ZVF50</li> </ul> </li> </ul> |  |  |
| CONTROL PANEL   |  |  |
| <ul style="list-style-type: none"> <li>o LOCATED IN THE LEFT SIDE</li> <li>o CONTROL PRESSURE GAUGES WITH TEST PORTS.</li> <li>o SELECTION PANEL WITH PNEUMATIC CONTROL AND INDICATORS</li> <li>o TACHYMETER</li> <li>o ENGINE SPEED SELECTOR</li> <li>o DIFFERENTIAL PRESSURE GAUGE</li> </ul>                 |  | <ul style="list-style-type: none"> <li>o PNEUMATIC REGULATOR FOR PUMP</li> <li>o PNEUMATIC FILTER</li> <li>o SHOFLOW VISOR</li> <li>o LIGHTING ELEMENTS</li> <li>o REEL COMMAND</li> <li>o STEEL HOUSING</li> <li>o ALUMINIUM SHUTTERS</li> </ul>          |
| MISCELLANEOUS   |  |  |
| <ul style="list-style-type: none"> <li>o VSCJ – 4 l.</li> <li>o SLOPE TANK 30 l.</li> <li>o PRODUCT RETURN PUMP</li> <li>o DRAINAGE LINES (3) FROM FWS</li> <li>o MILIPORE TEST SOCKET</li> <li>o 100 ft SPRING REWING GROUDN REEL + BOINDING POINTS.</li> </ul>  |  | <ul style="list-style-type: none"> <li>o INTERLOCK SYSTEM, WITH LIGHT INDICATIONS IN CABIN</li> <li>o 9 Kg BC EXTINGUISHERS (2).</li> <li>o TOOLBOX</li> <li>o WHEELCHOCKS</li> </ul>  |